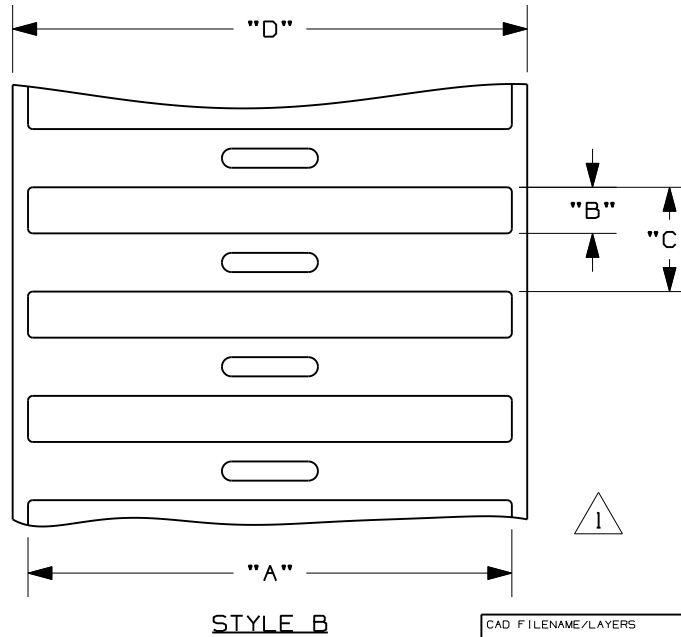
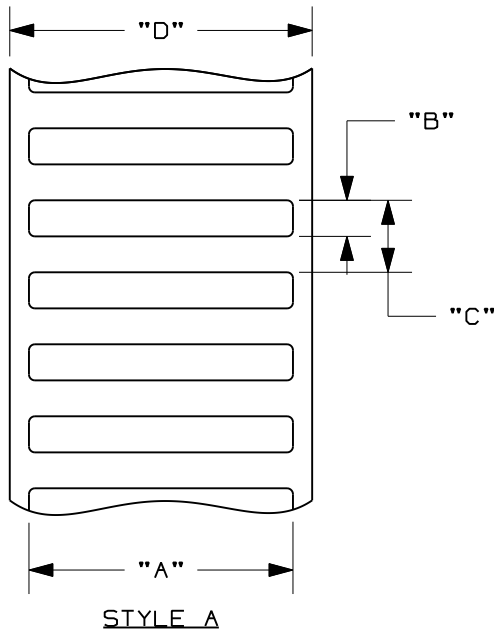


THIS COPY IS PROVIDED ON A RESTRICTED BASIS AND IS NOT TO BE USED IN ANY WAY DETRIMENTAL TO THE INTERESTS OF PANDUIT CORP.

PART NO.	MATERIAL	"A" +/- .06	"B" +/- .06	"C" +/- .06	"D" +/- .06	COLOR	LABELS PER ROW	LABELS PER ROLL	STYLE
C138X019YPT	GMY3	1.375 [ 34.93 ]	0.188 [ 4.78 ]	0.375 [ 9.52 ]	1.58 [ 40.00 ]	WHITE	1	2500	A
C138X019YOT	GMY3	1.375 [ 34.93 ]	0.188 [ 4.78 ]	0.375 [ 9.52 ]	1.58 [ 40.00 ]	BLACK	1	2500	A
C188X030YPT	GMY3	1.875 [ 47.62 ]	0.300 [ 7.62 ]	0.425 [ 10.80 ]	2.20 [ 55.88 ]	WHITE	1	2500	A
C252X030YPT	GMY3	2.520 [ 64.01 ]	0.300 [ 7.62 ]	0.425 [ 10.80 ]	2.72 [ 69.09 ]	WHITE	1	2500	A
C261X030YPT	GMY3	2.610 [ 66.29 ]	0.300 [ 7.62 ]	0.500 [ 12.70 ]	3.00 [ 46.20 ]	WHITE	1	2500	A
C288X030YPT	GMY3	2.875 [ 73.02 ]	0.300 [ 7.62 ]	0.425 [ 10.80 ]	3.08 [ 78.10 ]	WHITE	1	2500	A
C315X030YPT	GMY3	3.150 [ 80.01 ]	0.300 [ 7.62 ]	0.679 [ 17.25 ]	3.35 [ 85.09 ]	WHITE	1	2500	B
C379X030YPT	GMY3	3.790 [ 96.27 ]	0.300 [ 7.62 ]	0.425 [ 10.80 ]	3.99 [ 101.35 ]	WHITE	1	2500	A



NOTES:

1. ALL LABELS TO BE EQUALLY SPACED AS SHOWN.
2. MILLIMETER ARE IN ( ).

CAD FILENAME/LAYERS 100472KG\_DC\_C10405/01B

PANDUIT CORP. TINLEY PARK, ILLINOIS

CUSTOMER DRAWING CxxxXxxxYxT  
THERMAL TRANSFER PRINTABLE LABELS

UNLESS OTHERWISE SPECIFIED,  
DIMENSIONAL TOLERANCES ARE:  
(.X) ± .12 (.XXX) ± .025  
(.XX) ± .06 ANGLES ±

UNLESS OTHERWISE SPECIFIED,  
ALL DIMENSIONS ARE GIVEN  
IN INCHES, THIRD ANGLE PROJECTION.

REV	DATE	BY	CHK	DESCRIPTION	ECN	R	CUST	SUP
I	2/10/09	RVU		ADD STYLE B AND TABLE. ADD +/- .06.	5670	R		
O	5/25/07	RVU		FOR PART NO., C261X030YPT, "C" DIM. WAS .425. "D" DIM. WAS 2.86.	5022	R		
A	9-11-06	RVU		DRAWING RELEASED.	4670	R		

DRAWN BY  
RVU  
DATE  
4-3-06  
CHK'D

MAT'L:  
SEE TABLE

SCALE  
NTS  
DRAWING NO.  
C10405  
DWG  
A  
SIZE